

# RADIATOR

## RADIATOR EVOLVE

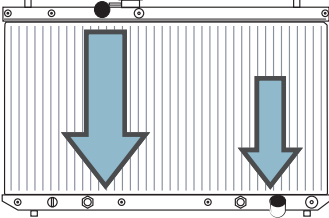
## Radiator Data by Vehicle Model

**EVOLVE**  
COOLING PROFESSIONAL

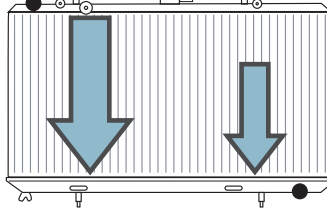
### STD Model: Vehicle-Specific Data (External Dimensions)

\*Reference Dry Weight

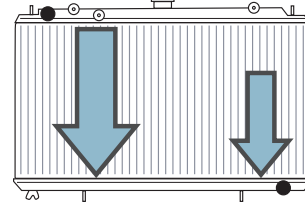
**JZX100/110MT-AT**  
:H498×W732×D65/8.79kg



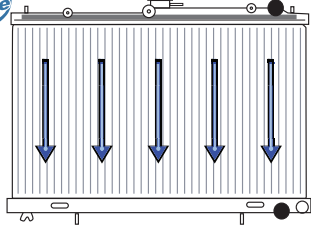
**PS13/RPS13**  
:H453×W670×D68/6.25kg



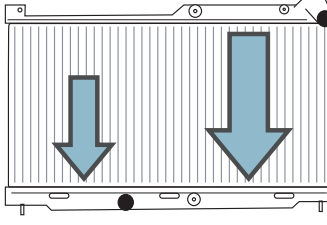
**S14/S15**  
:H468×W670×D68/6.71kg



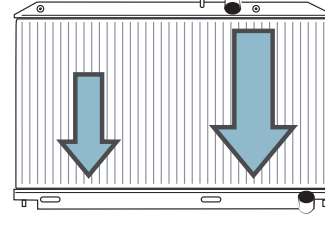
**ECR33/ER34/C35MT/BCNR33**  
:H509×W667×D65/7.11kg



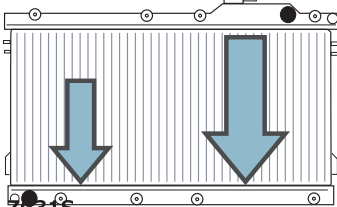
**FD3S**  
:H410×W643×D70/4.49kg



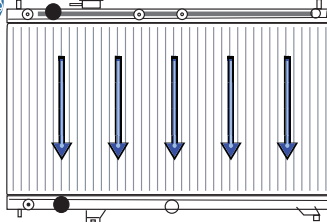
**SE3P**  
:H447×W667×D63/4.93kg



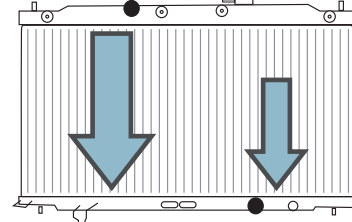
**NA6/NA8CE**  
:H445×W670×D50/4.43kg



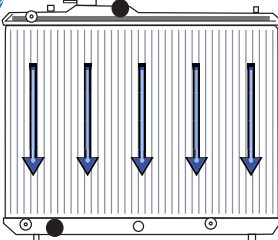
**AP1**  
:H463×W667×D63/5.85kg



**ZF1**  
:H463×W704×D60/5.57kg



**ZC31S**  
:H489×W584×D50/4.97kg



### What is a "Control Plate"?!

#### Integrated Control Plate for Peace of Mind (Select Models)

For vehicles with upper and lower hoses on the same side, we have developed and integrated our original "Control Plate" (available on select models). By installing this plate in the

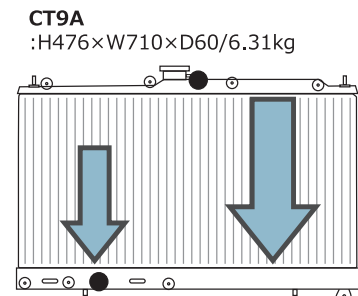
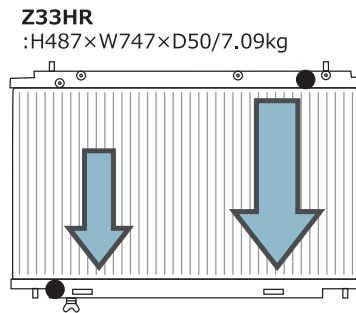
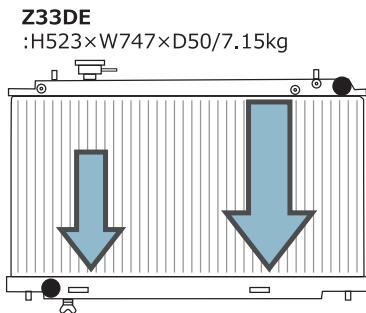
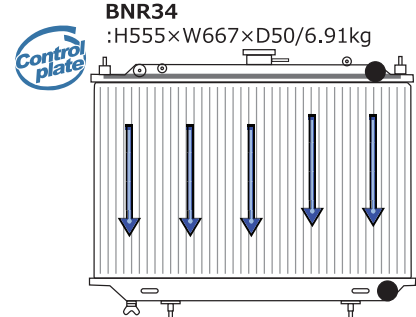
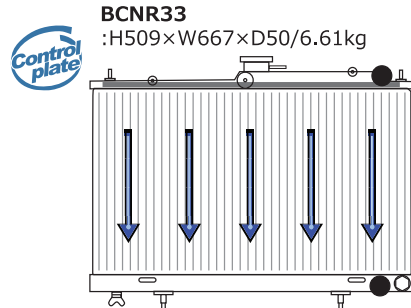
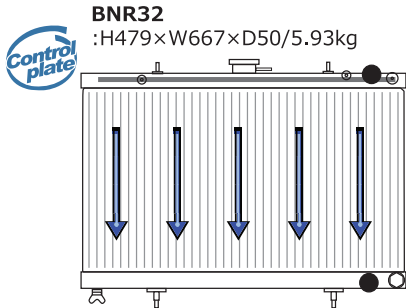
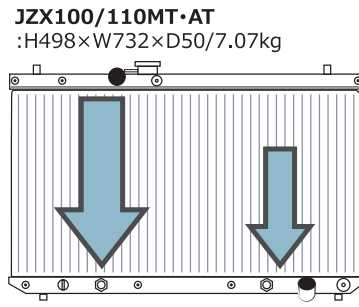
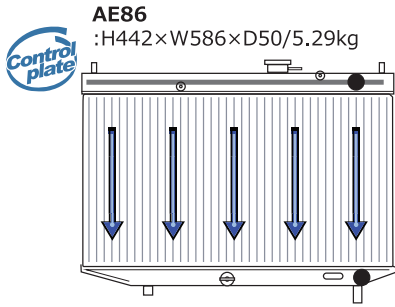
radiator's upper tank to manage flow, we've created a pathway that distributes coolant evenly across the



# Light SH Model: Vehicle-Specific Data (External Dimensions)

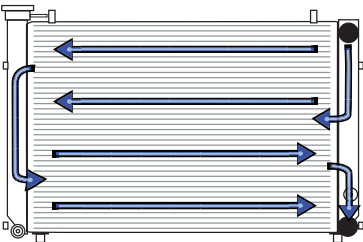
\*Reference Dry Weight

**EVOLVE**  
COOLING PROFESSIONAL



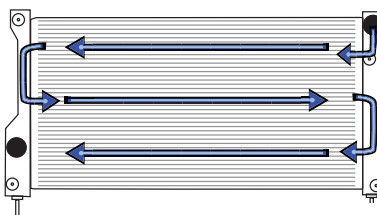
# Multi-Flow Side Tank Model: Vehicle-Specific Data (External Dimensions)

**JZX100/110系サイドシングルターン**  
:H498×W735×D50/6.81kg



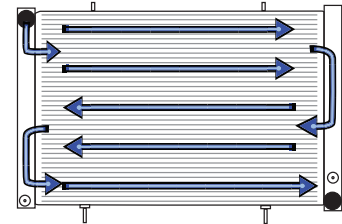
Side Single-Pass

**ZN6ダブルターン**  
:H356×W760×D50/4.89kg



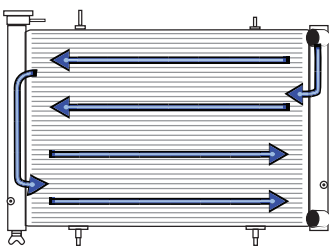
Double-Pass

**S13/S14/S15ダブルターン**  
:H430×W665×D58/5.87kg



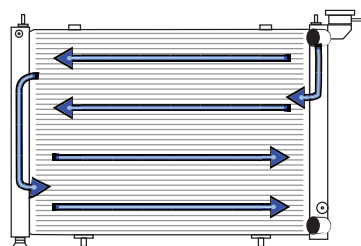
Double-Pass

**BNR32シングルターン**  
:H460×W667×D45/6.39kg



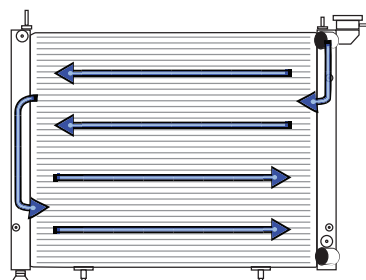
Side Single-Pass

**BCNR33シングルターン**  
:H460×W667×D45/6.43kg



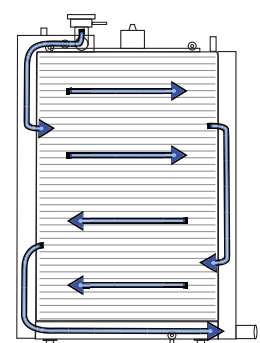
Side Single-Pass

**BNR34シングルターン**  
:H543×W667×D45/7.17kg



Side Single-Pass

**HA36Sダブルターン**  
:H490×W312×D40/2.98kg



Double-Pass